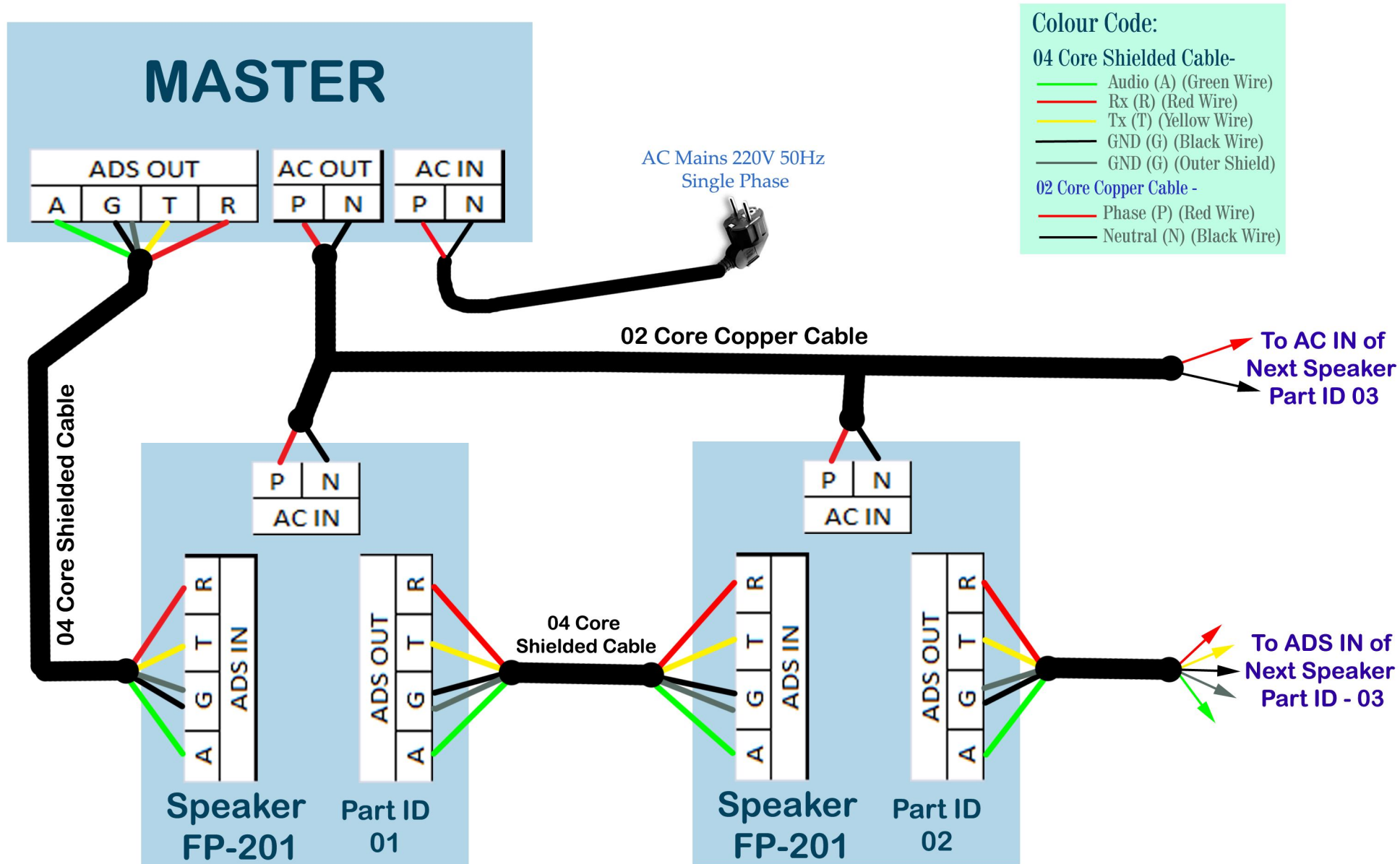


Connection Diagram - Model : FP-201



SuperSync Technologies Pvt. Ltd.

For Technical Support Call us on:
+91 86 96 067 067



www.supersynctech.com